

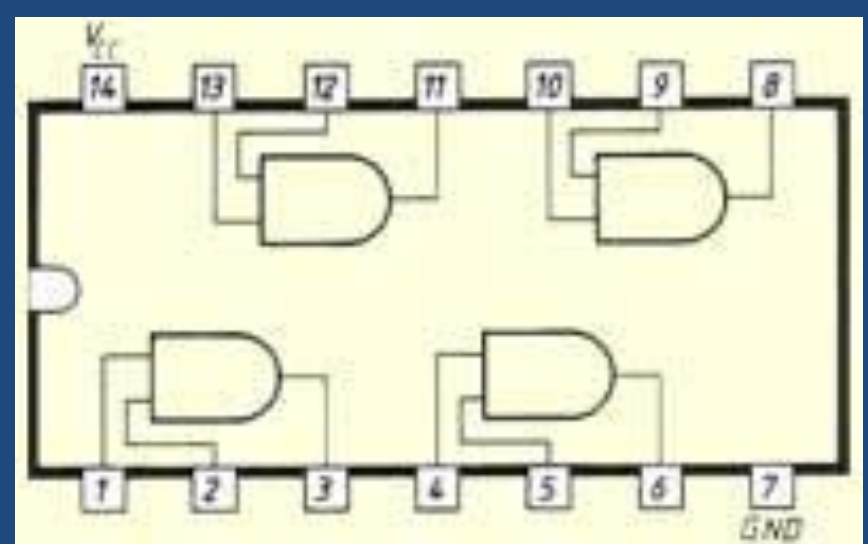
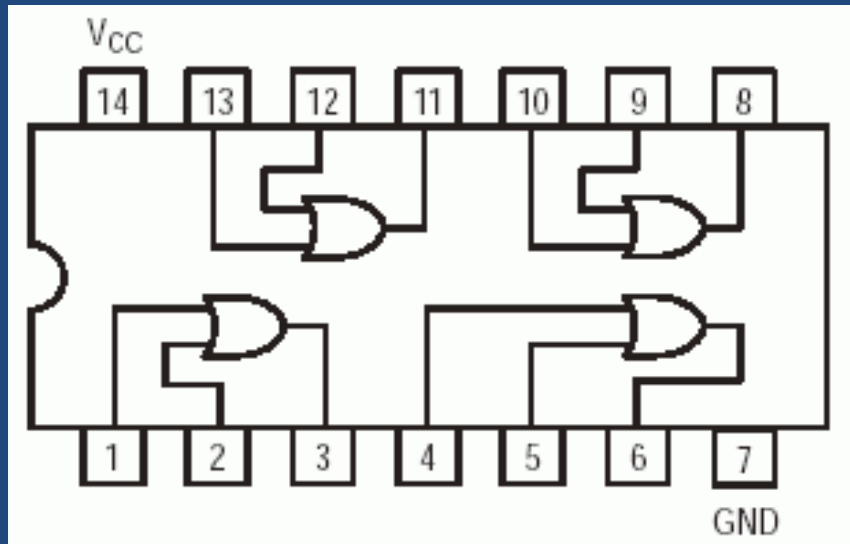
Final Project
Notebook
EECT 112-51C
Skyler Grable-Gibson

LAB 1

And -Or

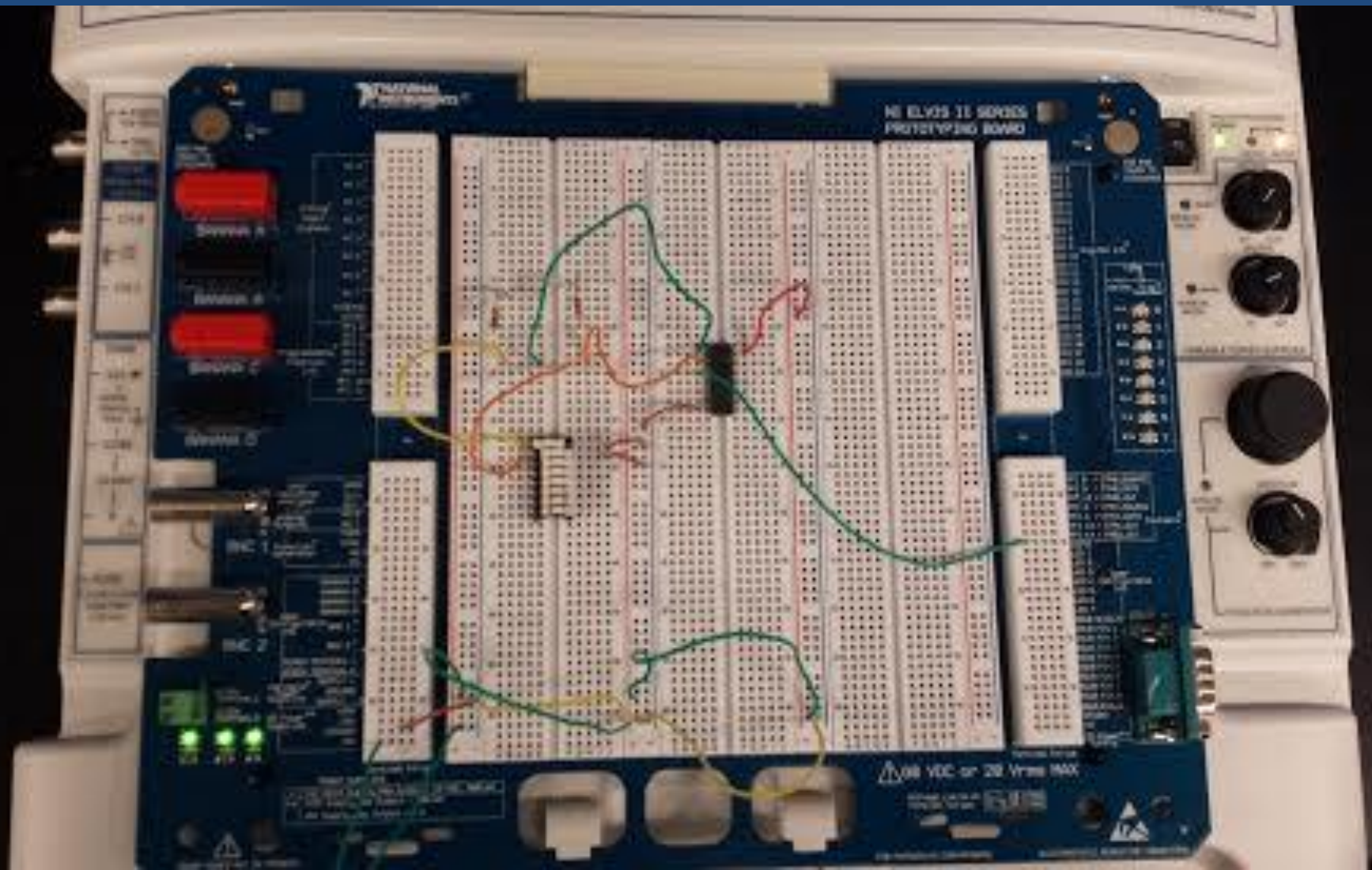
Qt.	OR
2	Resistor 10k
1	74LS32D Dip Chip
1	NI Elvis 2 board
1	Dip Switch
	Wires

Qt.	AND
2	Resistor 10k
1	74LS32D Dip Chip
1	NI Elvis 2 board
1	Dip Switch
	Wires

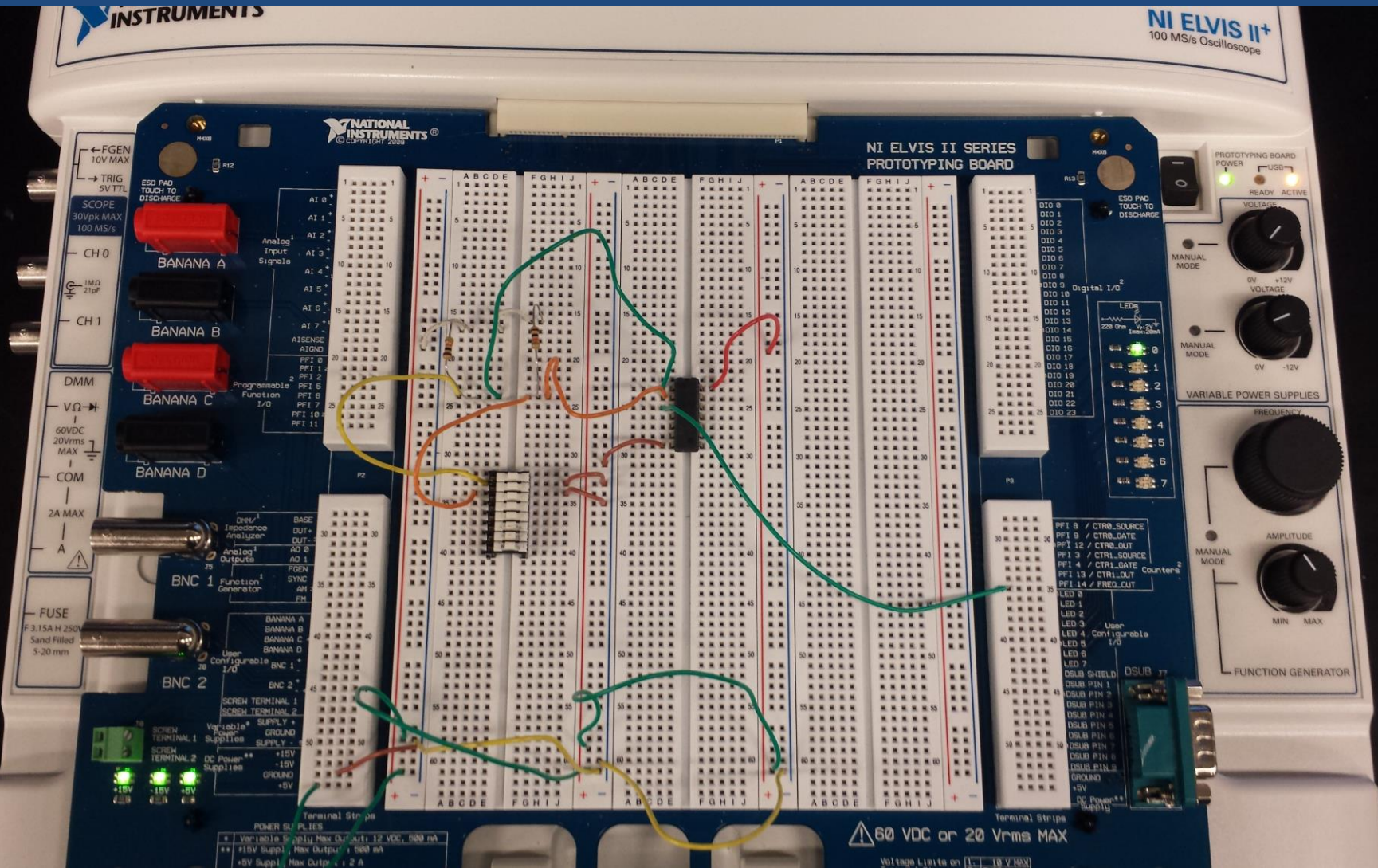


LAB 1

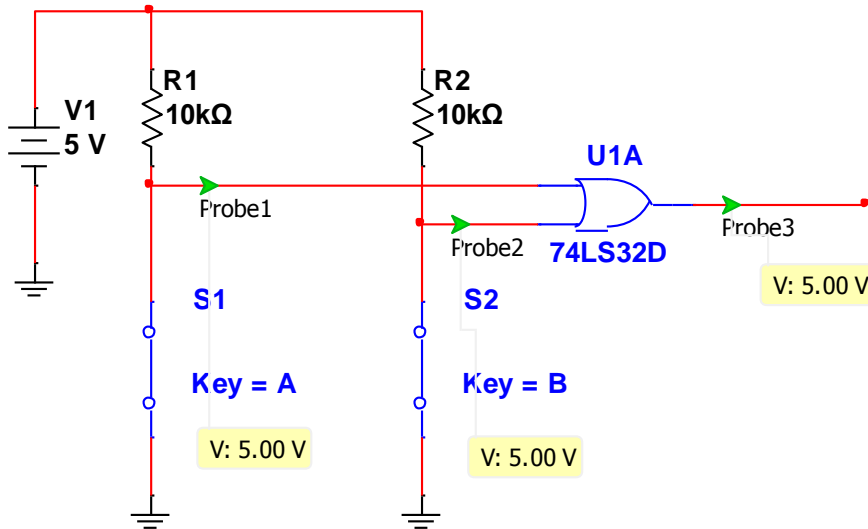
OR - PIC



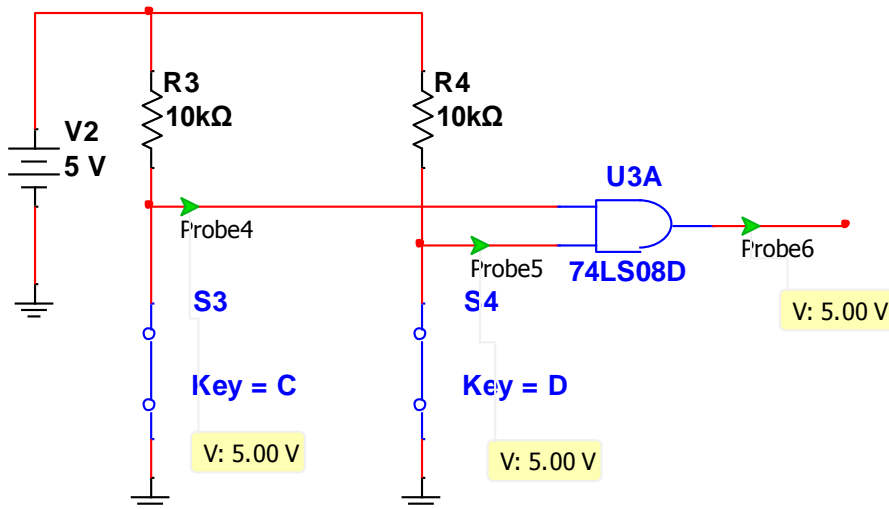
LAB 1 AND - PIC



LAB 1



OR Gate

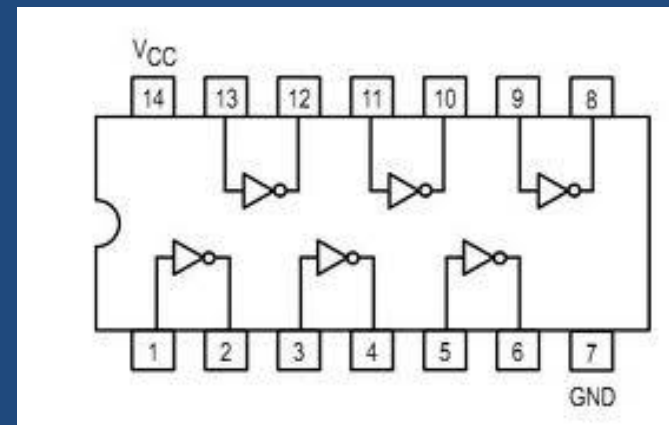
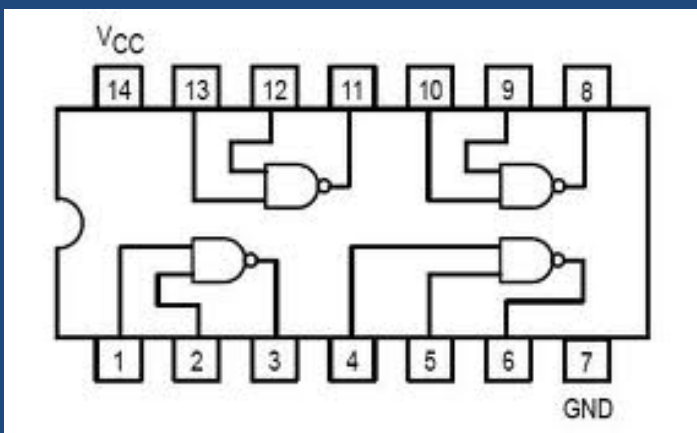


AND Gate

LAB 2

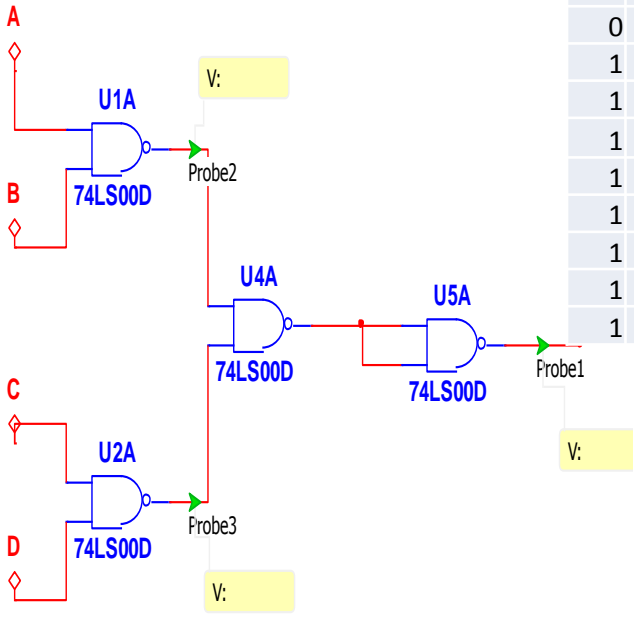
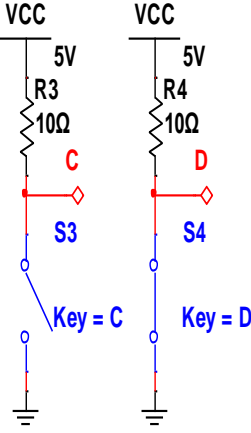
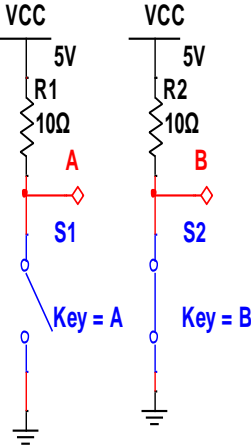
Qt.	NOR
4	Resistor 10k
1	NI Elvis 2 board
1	Dip Switch
	Wire
1	74LS00D

Qt.	NAND
4	Resistor 10k
1	Ni Elvis 2 board
1	Dip Switch
	Wire
1	74LS04N
1	74LS32D



LAB 2

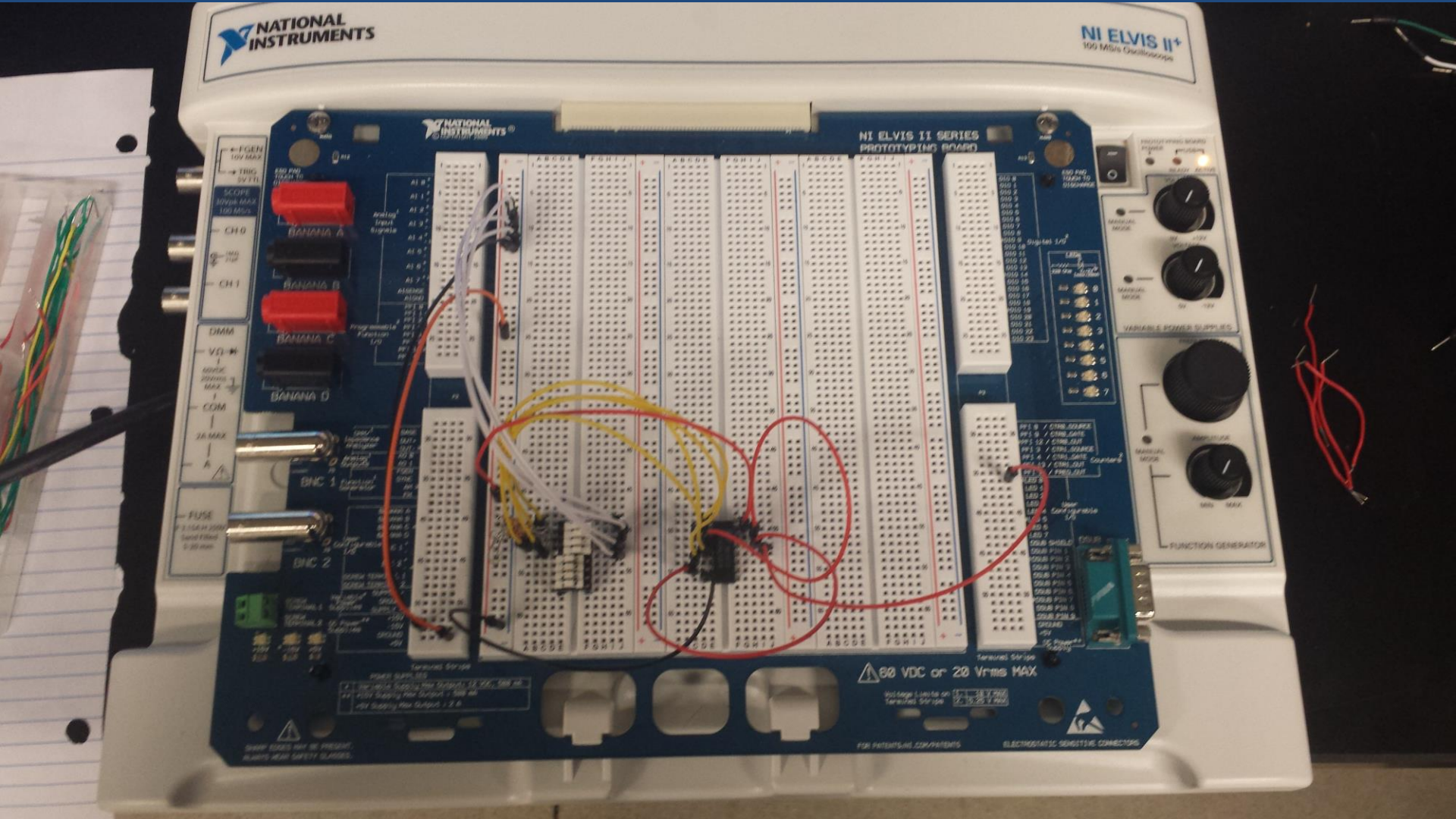
NAND - PIC



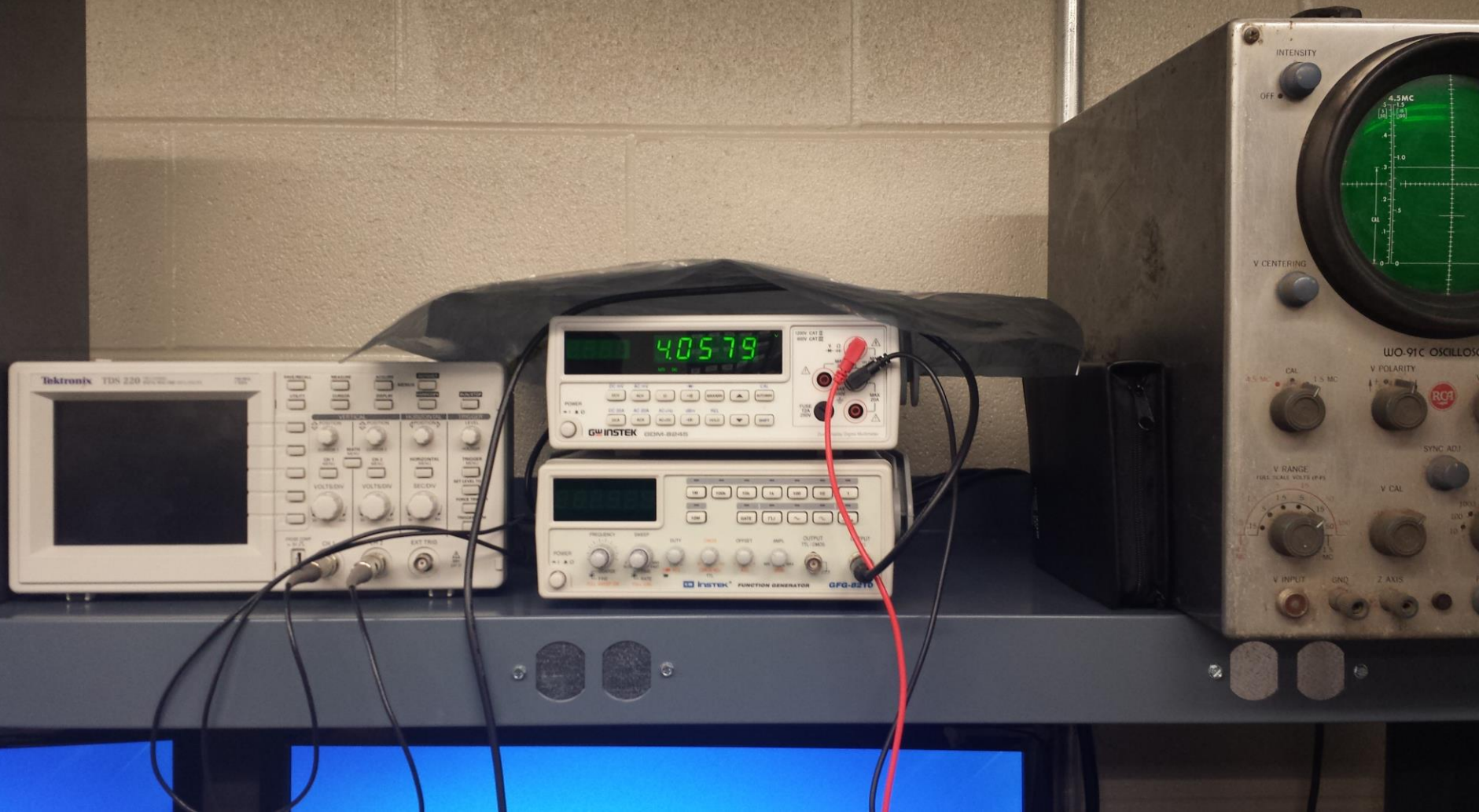
A	B	C	D	A'	B'	C'	D'	A'+B'	C'+D'	(A'+B')(C'+D')
0	0	0	0	1	1	1	1	1	1	1
0	0	0	1	1	1	1	0	1	1	1
0	0	1	0	1	1	0	1	1	1	1
0	0	1	1	1	1	0	0	1	0	1
0	1	0	0	1	0	1	1	1	1	1
0	1	0	1	1	0	1	0	1	1	1
0	1	1	0	1	0	0	1	1	1	1
0	1	1	1	1	0	0	0	1	0	1
1	0	0	0	0	1	1	1	1	1	1
1	0	0	1	0	1	1	0	1	1	1
1	0	1	0	0	1	0	1	1	1	1
1	0	1	1	0	1	0	0	1	0	1
1	1	0	0	0	0	1	1	0	1	1
1	1	0	1	0	0	1	0	0	1	1
1	1	1	0	0	0	0	1	0	1	1
1	1	1	1	0	0	0	0	0	0	0

LAB 2

NAND - PIC

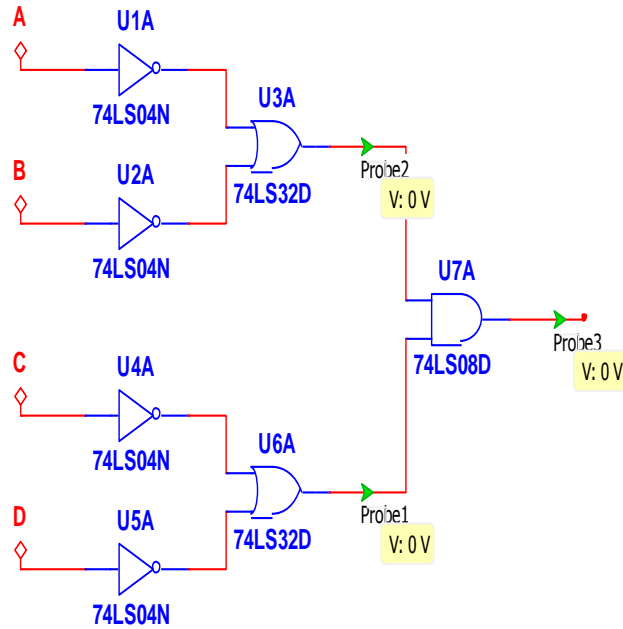
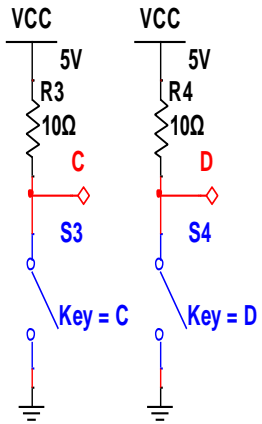
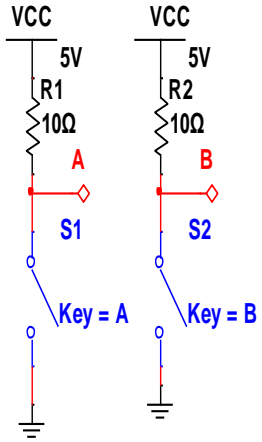


Volt Meter NAND - PIC

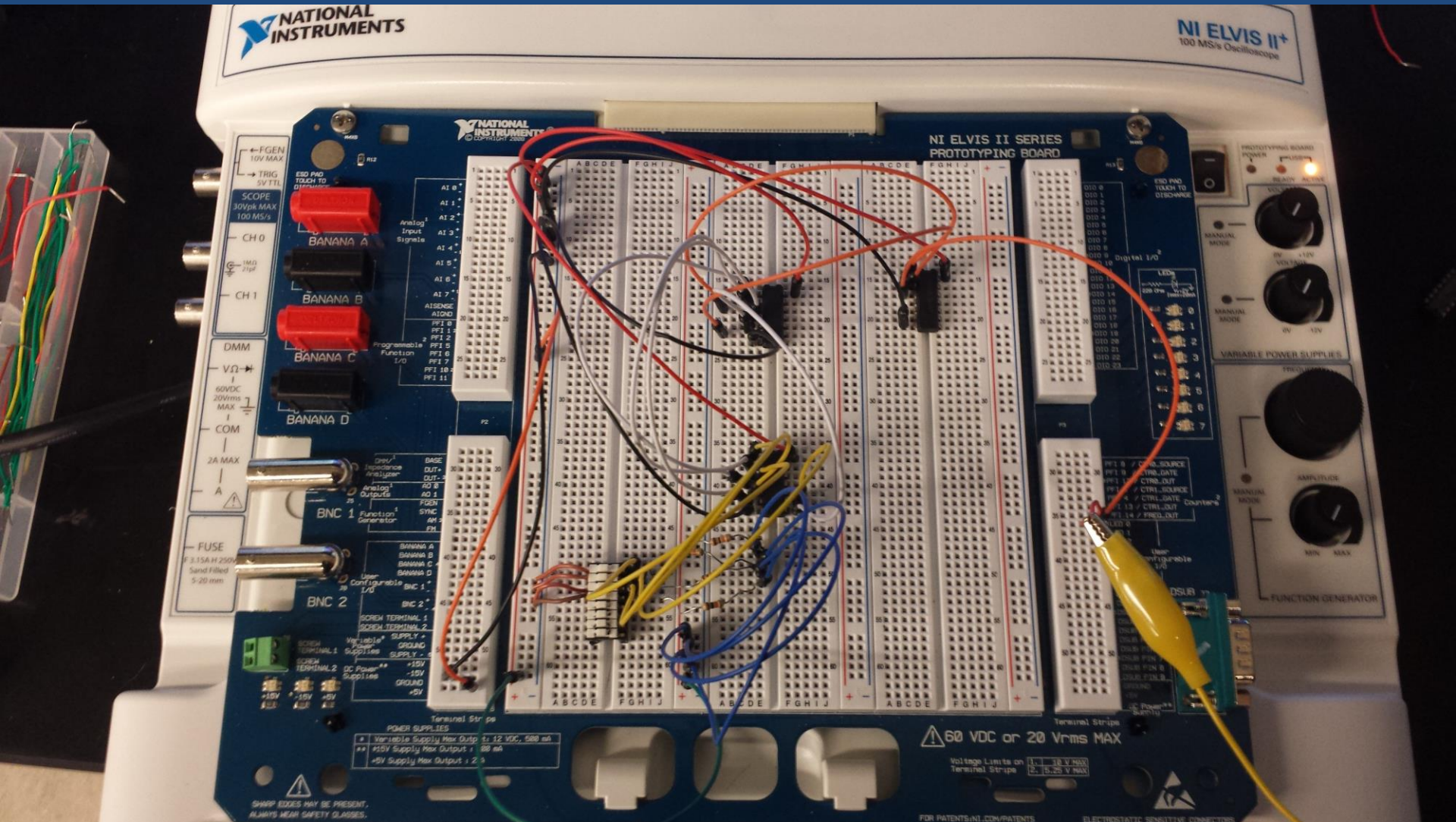


LAB 2

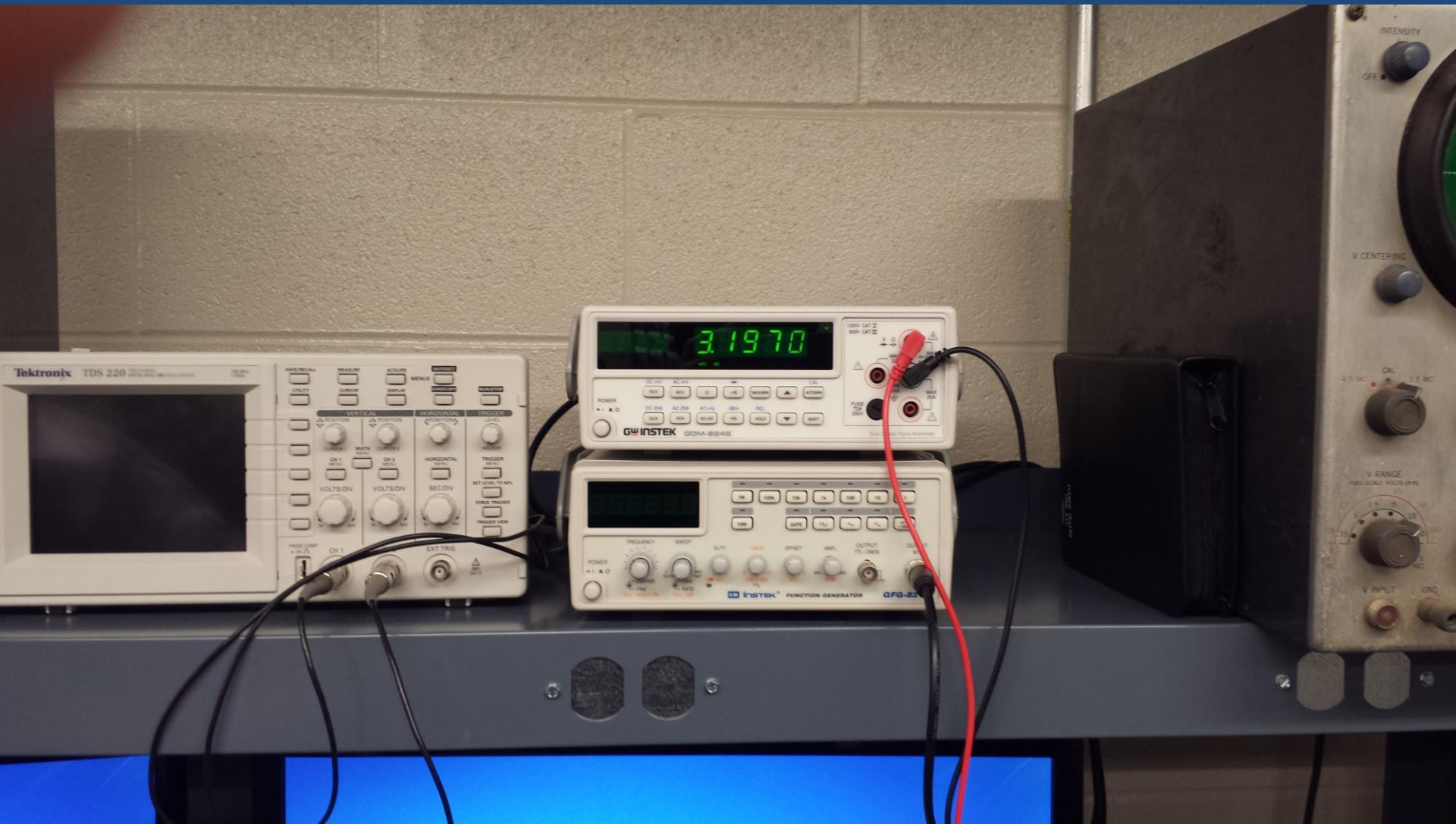
NOR - PIC



NOR - PIC

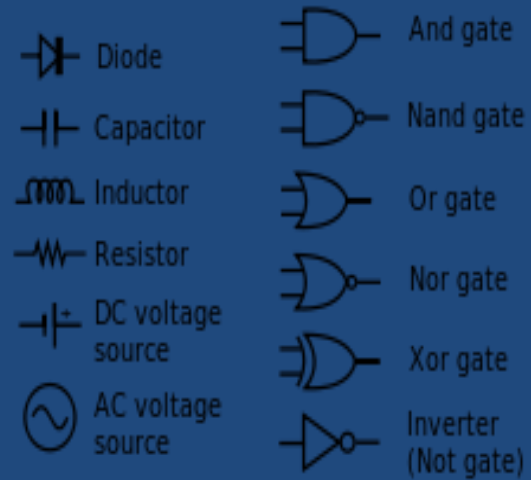


Volt Meter NOR - Pic



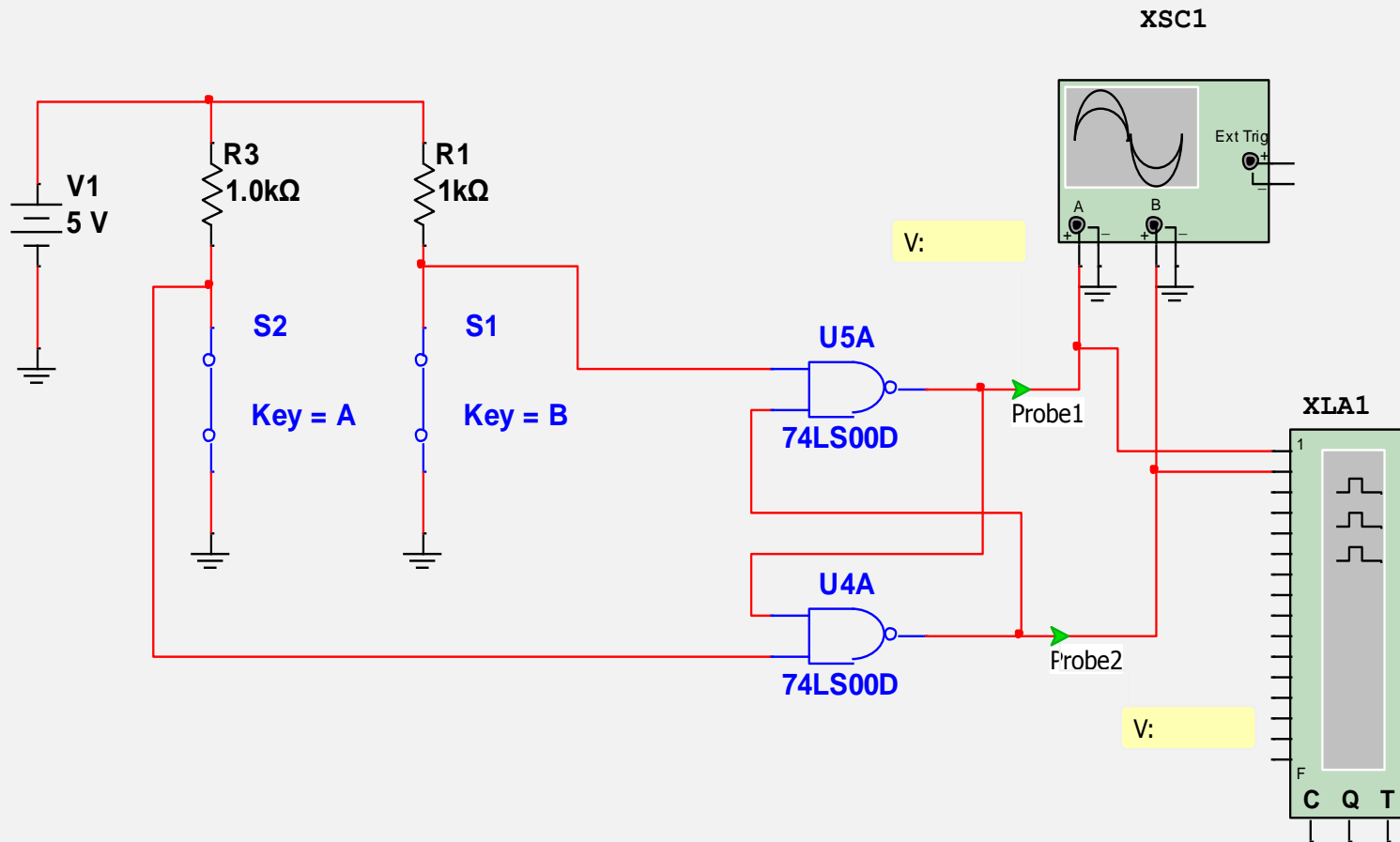
LAB 3

Qt.	NAND Latch
Qt.	
2	1K Resistor
1	Ni Elvis 2 board
1	Dip Switch
	Wire
2	74LS002
1	5 volts



LAB 3

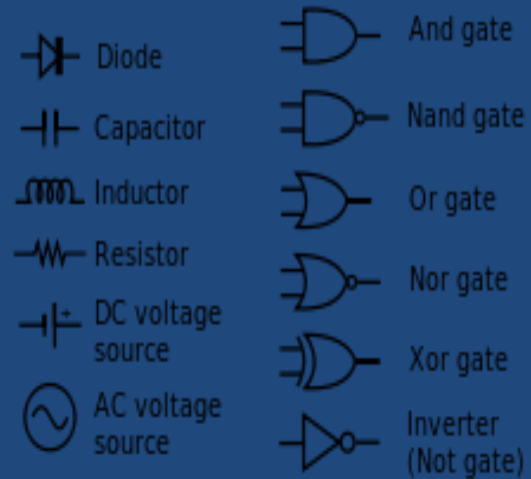
NAND LATCH



LAB 3

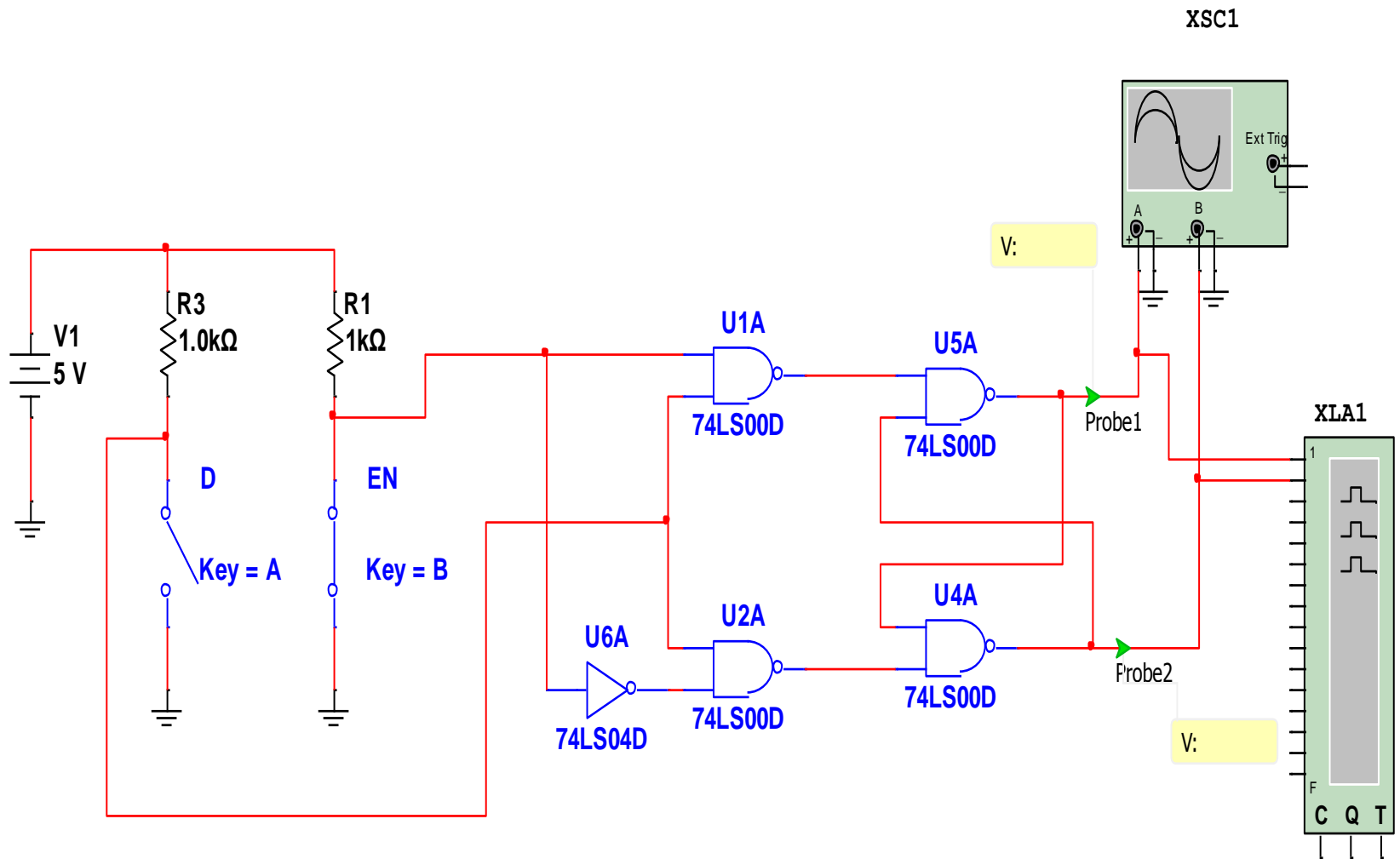
DFF 1

Qt.	DFF 1
Qt.	
2	1K Resistor
1	Ni Elvis 2 board
2	Dip Switch
	Wire
4	74LS00D
1	74LS04D
1	5 Volts



LAB 3

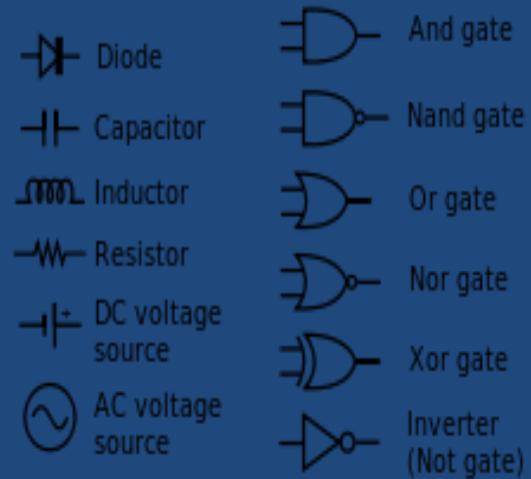
DFF 1



LAB 3

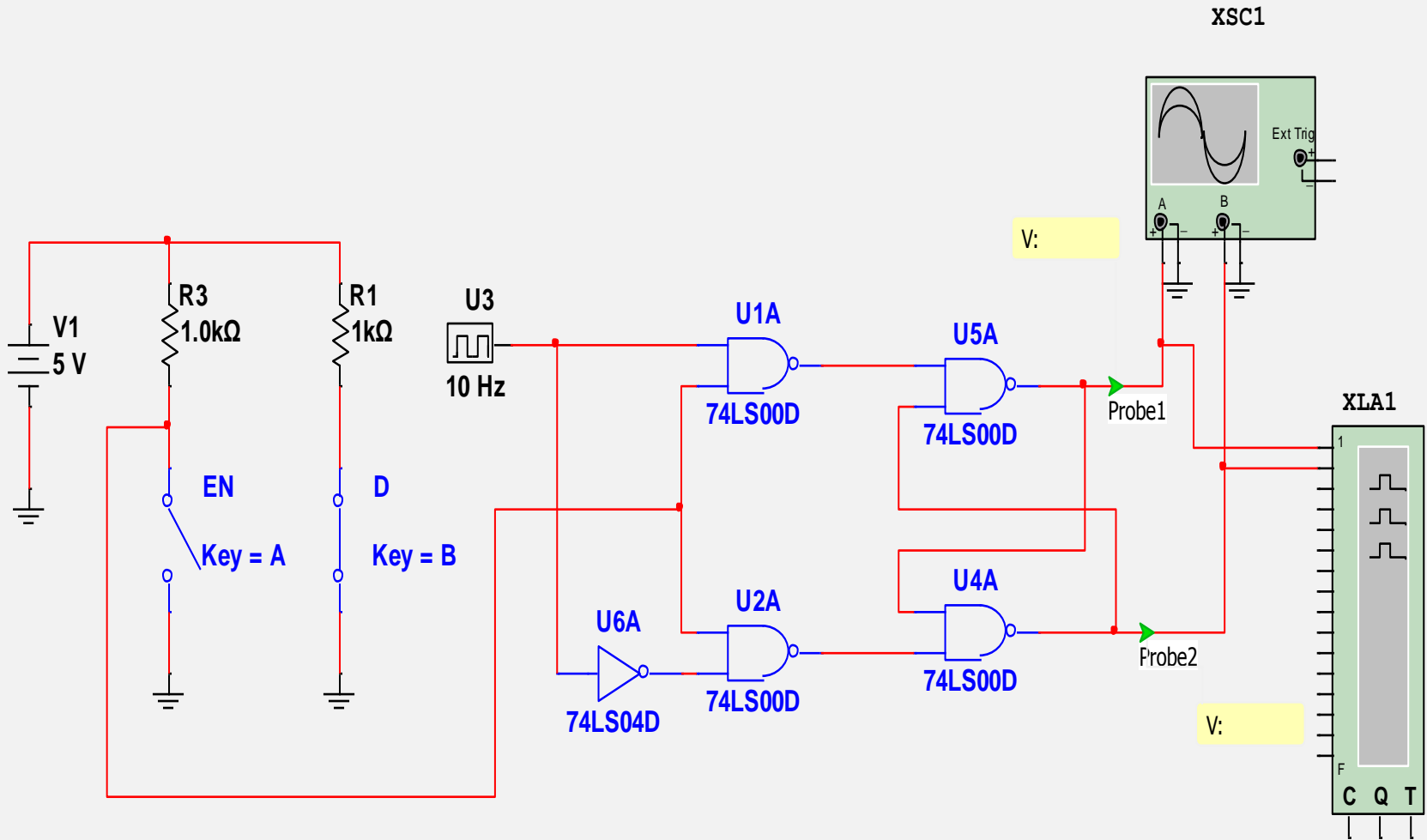
DFF 2

Qt.	DFF 2
Qt.	
2	1K Resistor
1	Ni Elvis 2 board
2	Dip Switch
	Wire
4	74LS00D
1	74LS04D
1	5 Volts



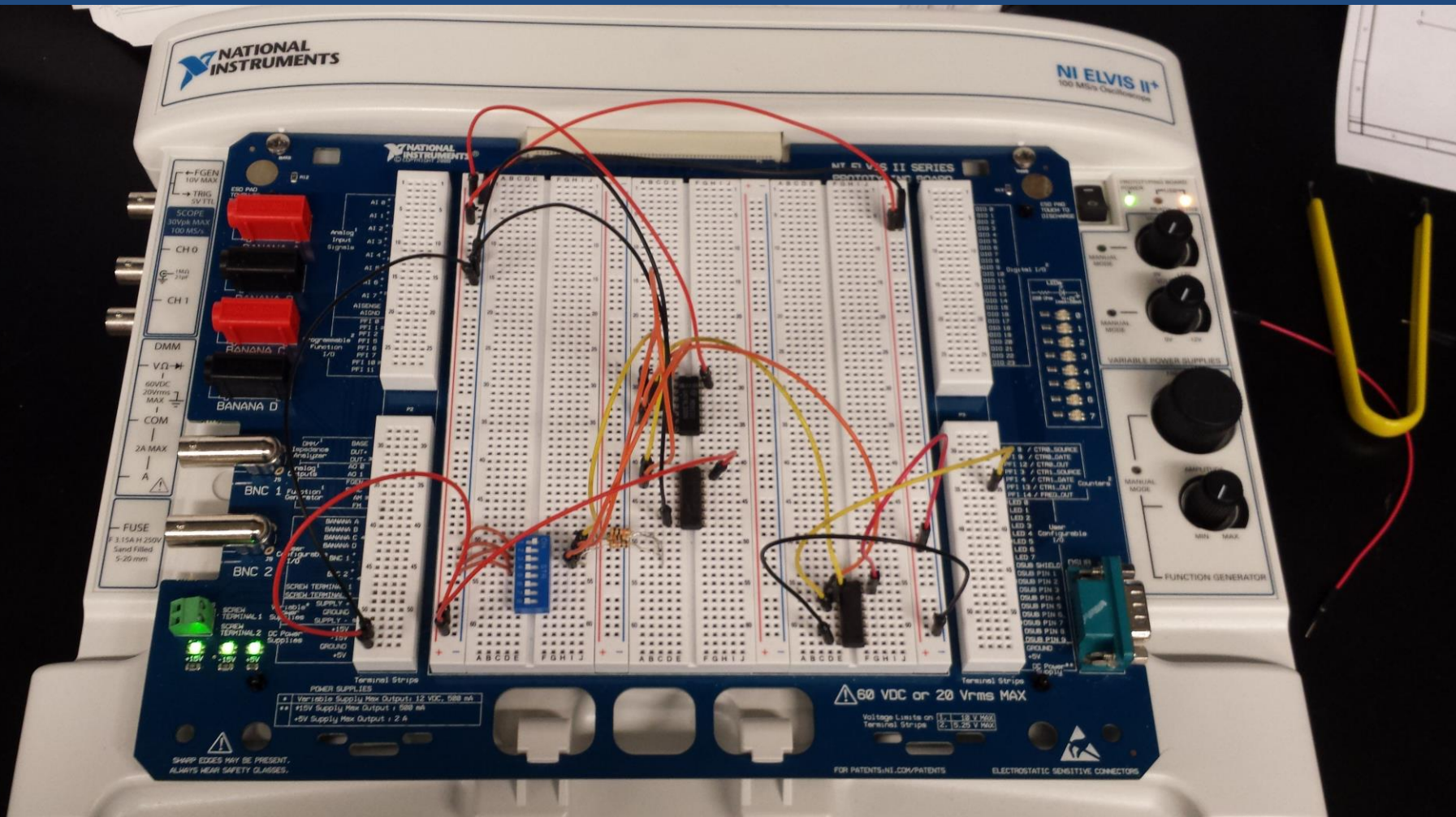
LAB 3

DFF 2



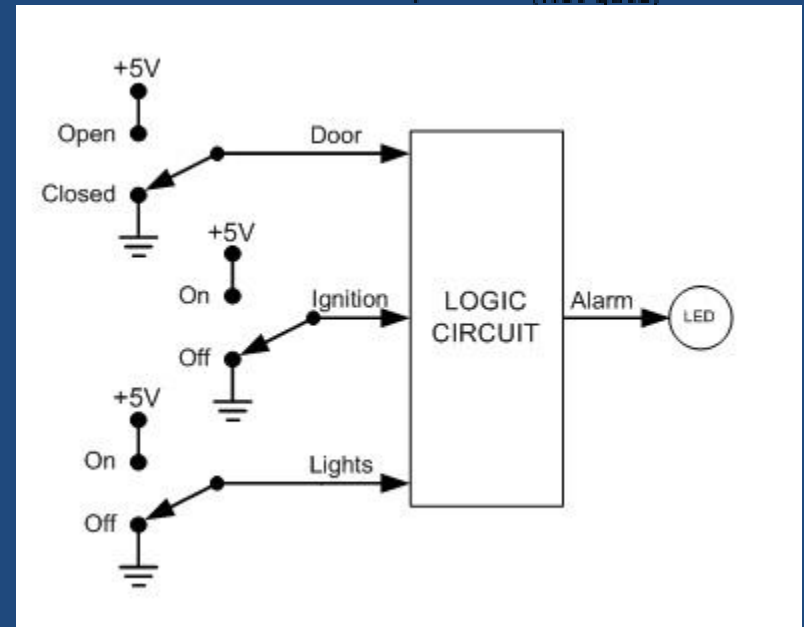
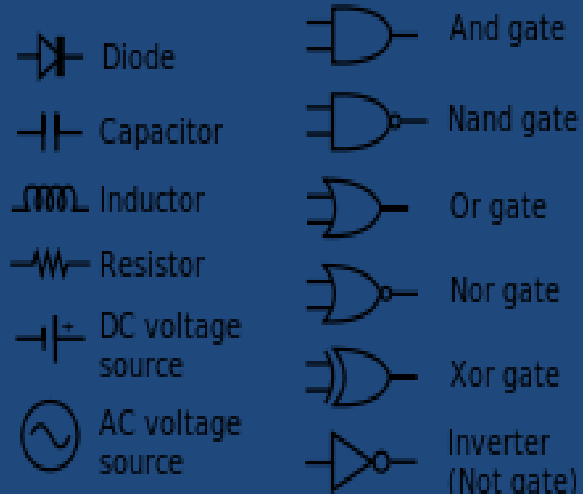
LAB 3

NAND – DFF 1 – DFF 2

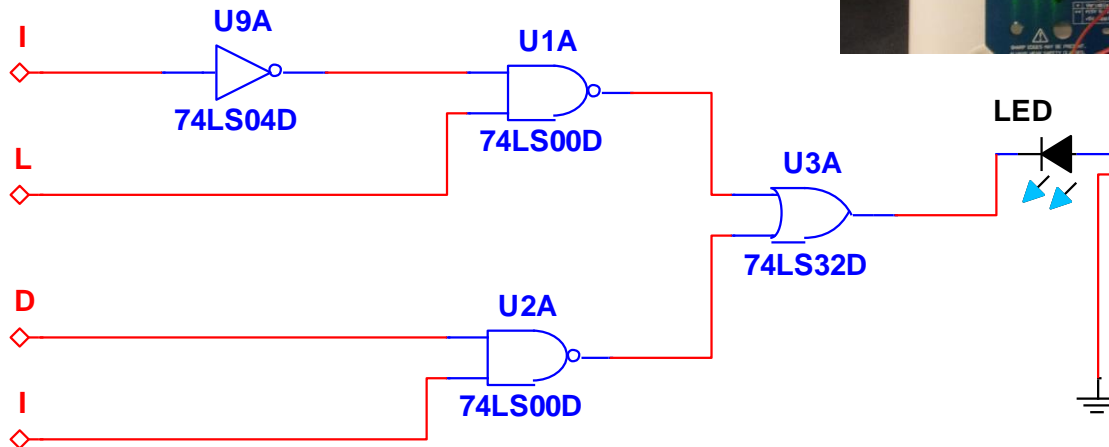
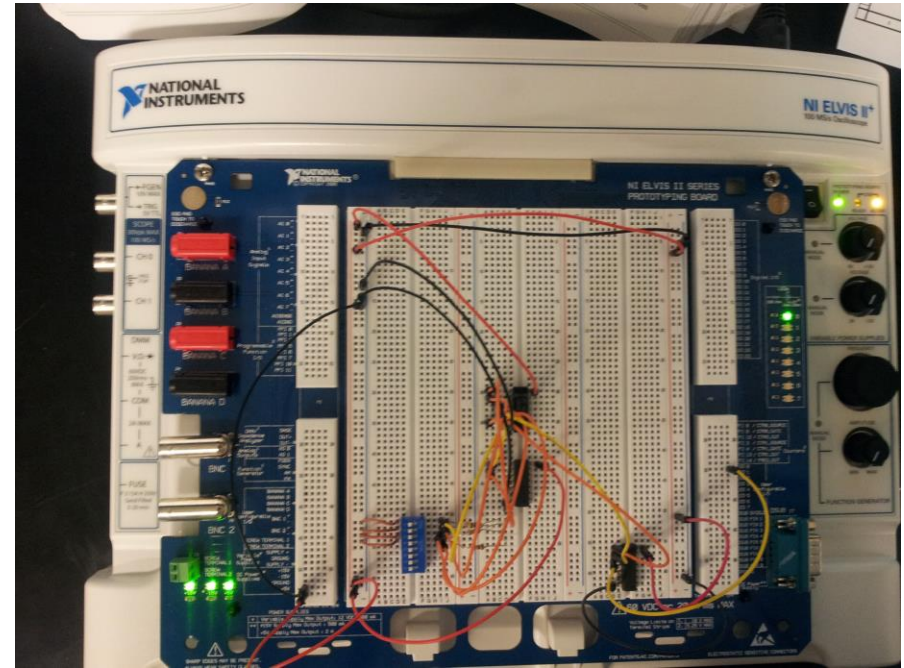
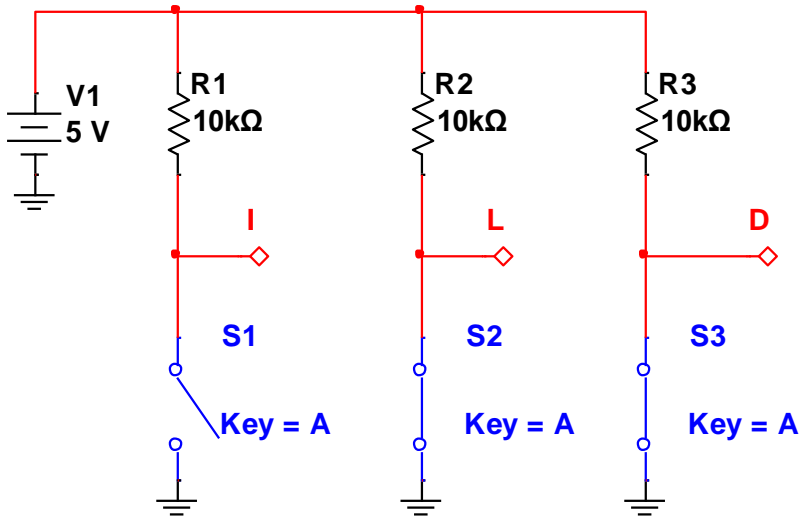


Midterm Car Alarm

Qt.	Basic Stamp
Qt.	
3	10K Resistor
3	Push Button
1	LED Yellow
	Wire
1	Basic Stamp
1	74LS04D
2	74LS00D
1	5 Volts



Midterm Car Alarm



LAB 5

BASIC STAMP

Qt.	Basic Stamp
Qt.	
1	1K Resistor
1	Push Button
1	LED Yellow
	Wire
1	Basic Stamp
1	74LS04D
1	5 Volts
1	Conductor



Diode



Capacitor



Inductor



Resistor



DC voltage source



AC voltage source



And gate



Nand gate



Or gate



Nor gate



Xor gate



Inverter
(Not gate)

BASIC STAMP

